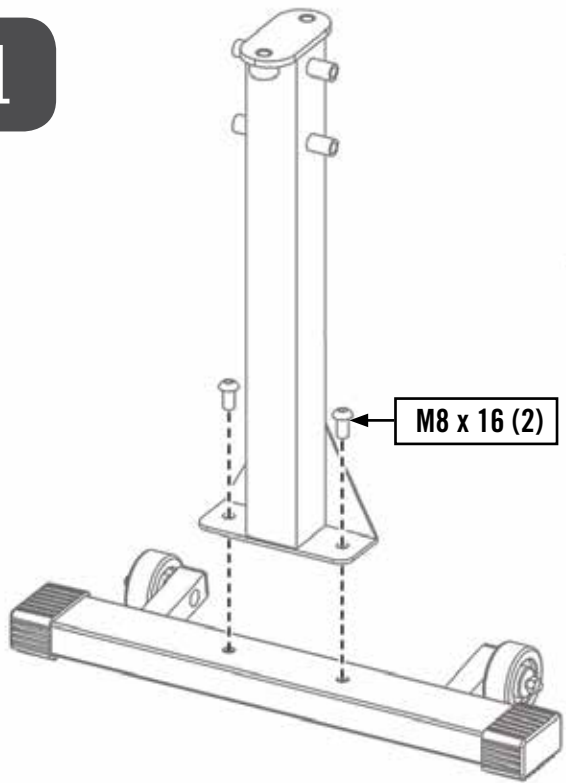
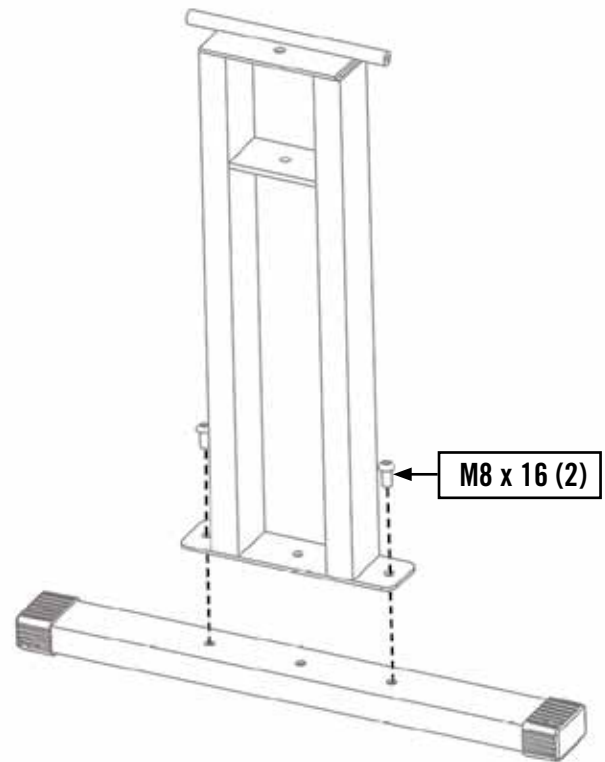


K1

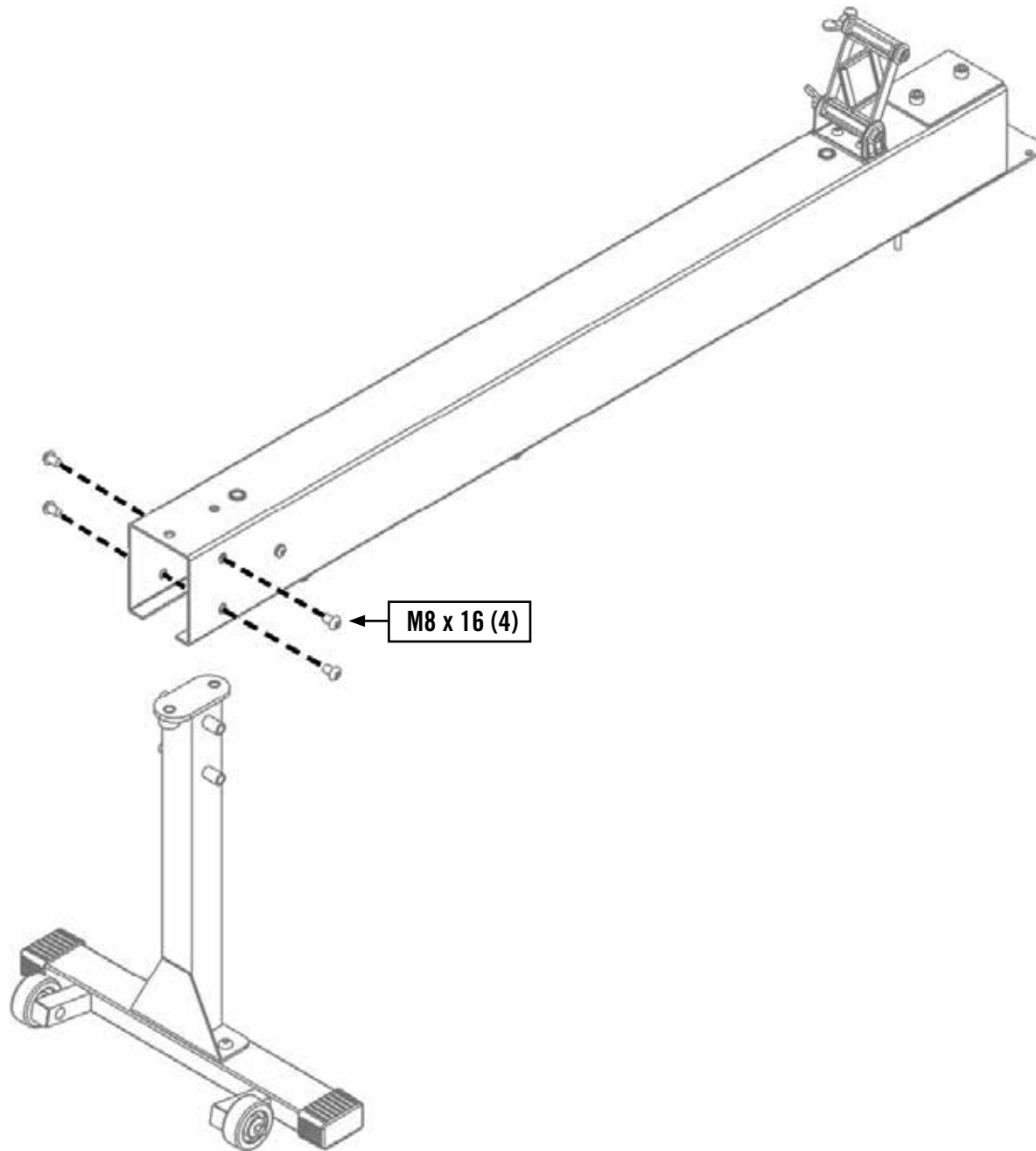
1



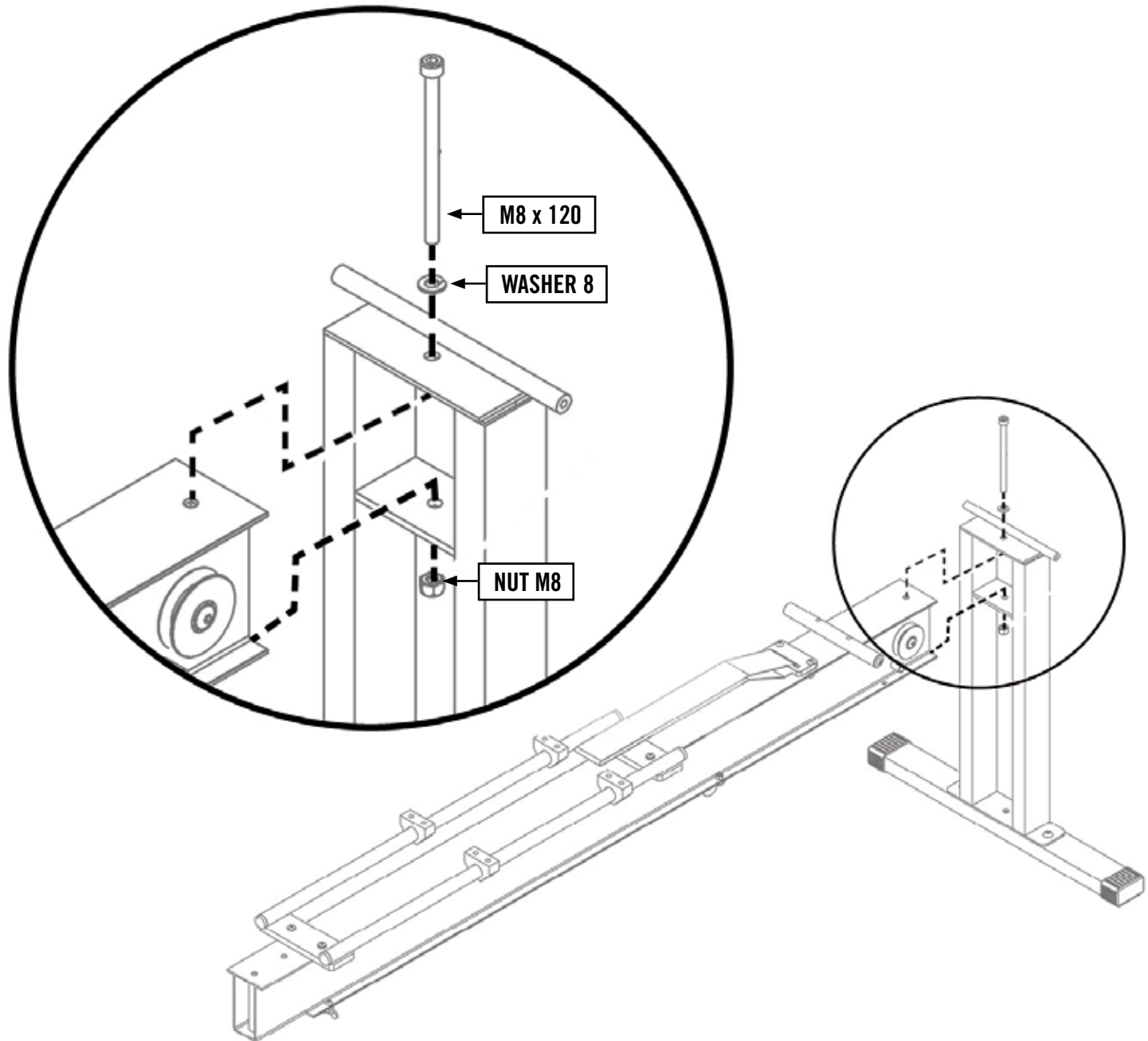
2



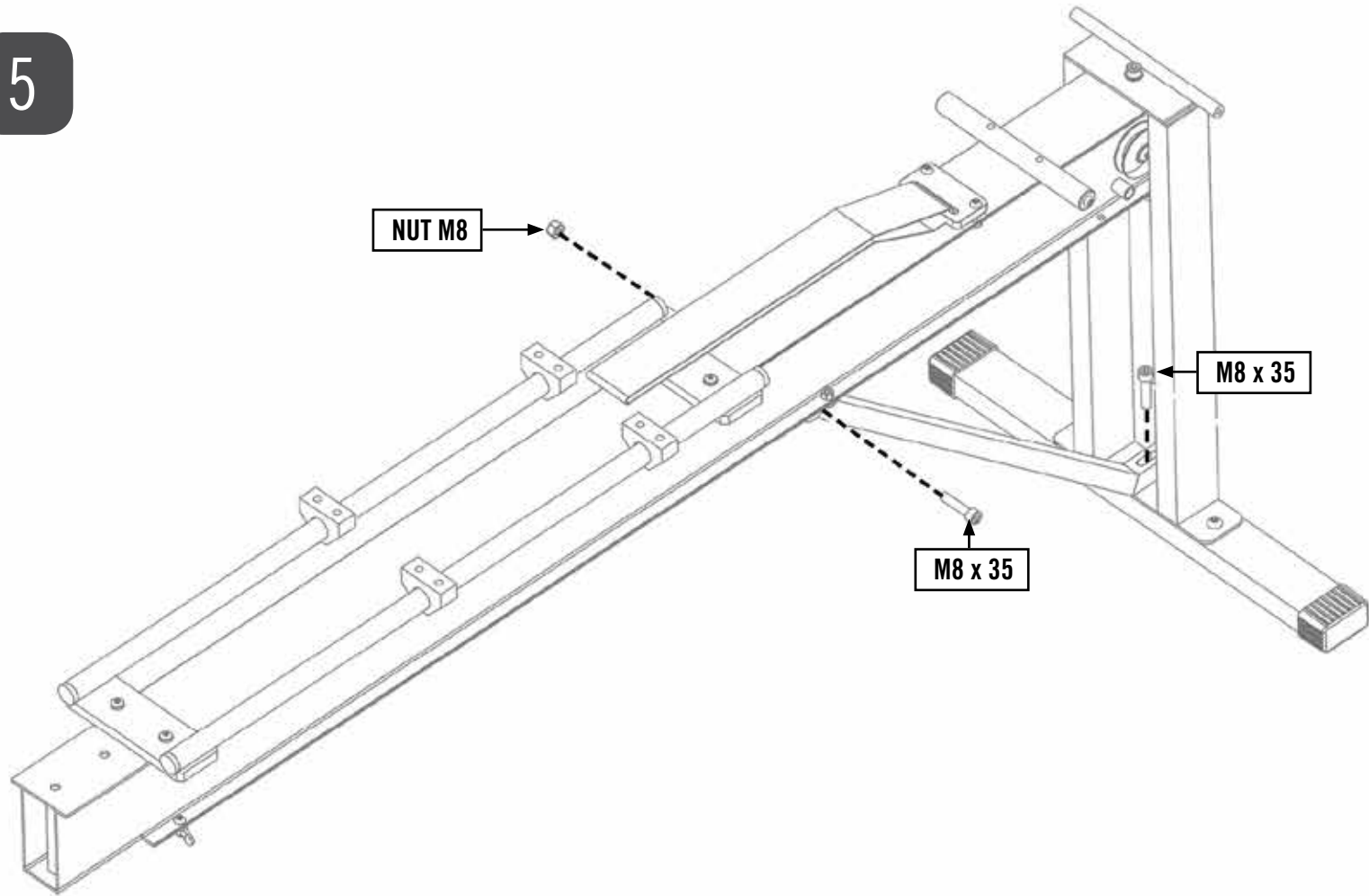
3



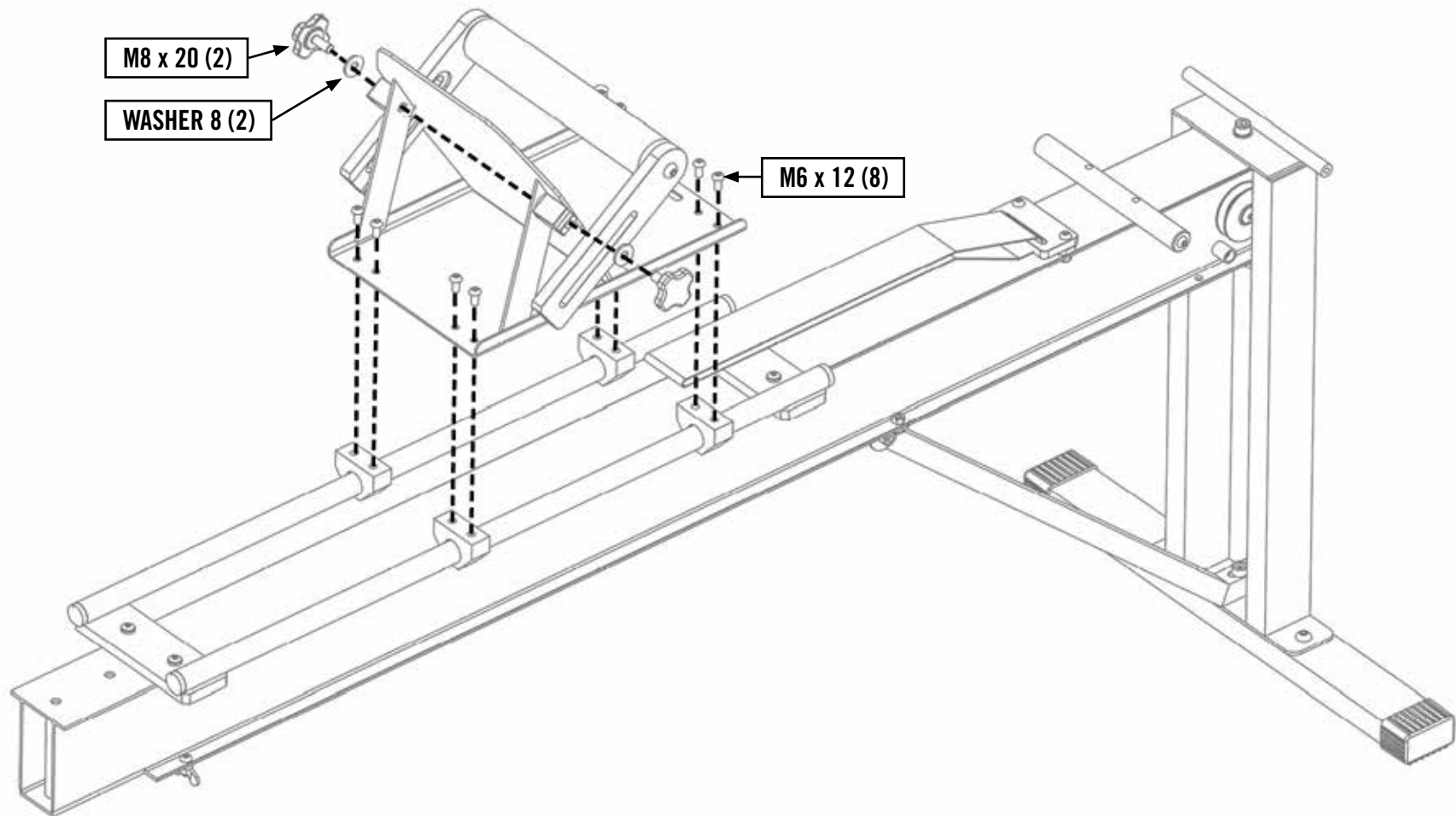
4



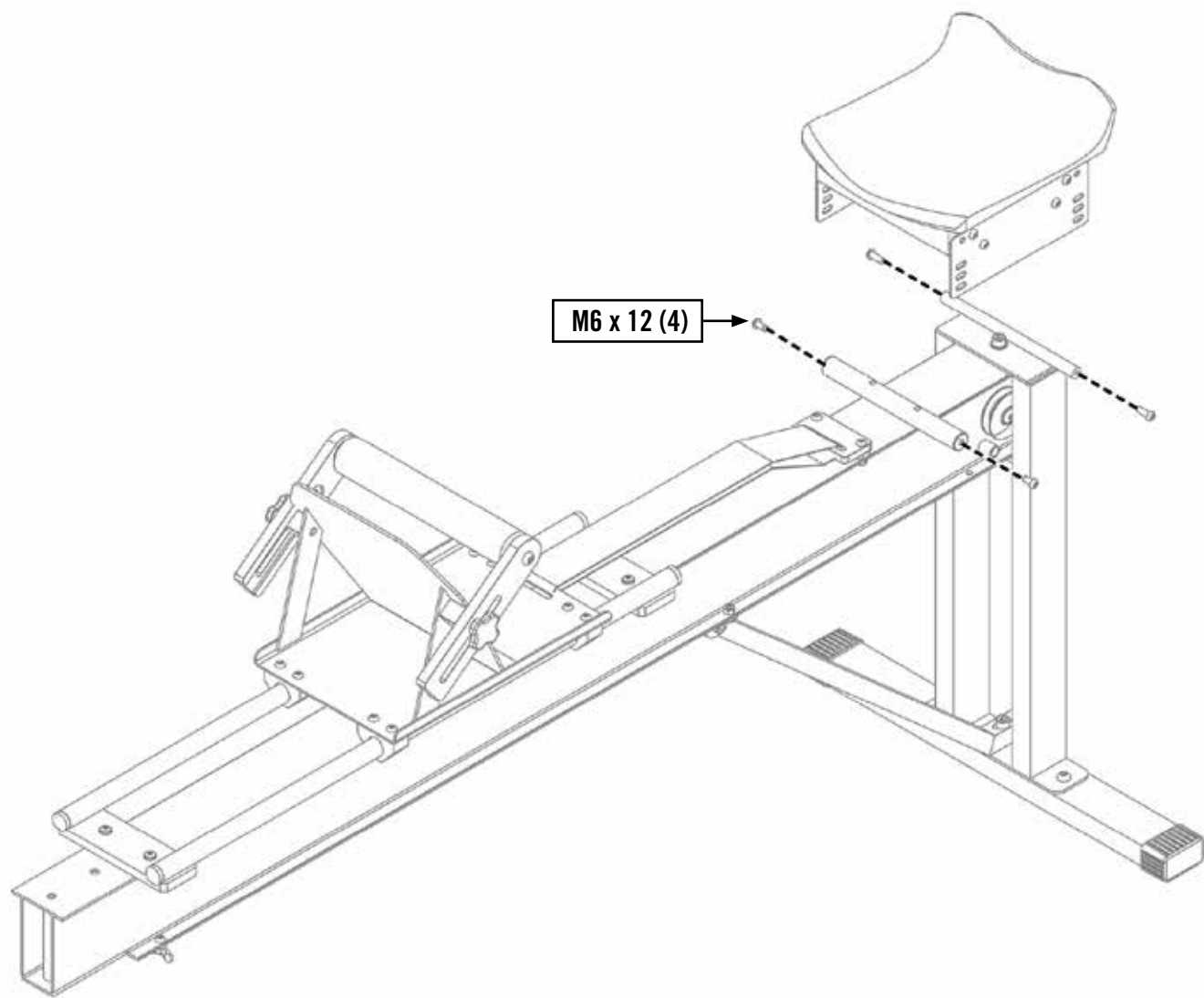
5



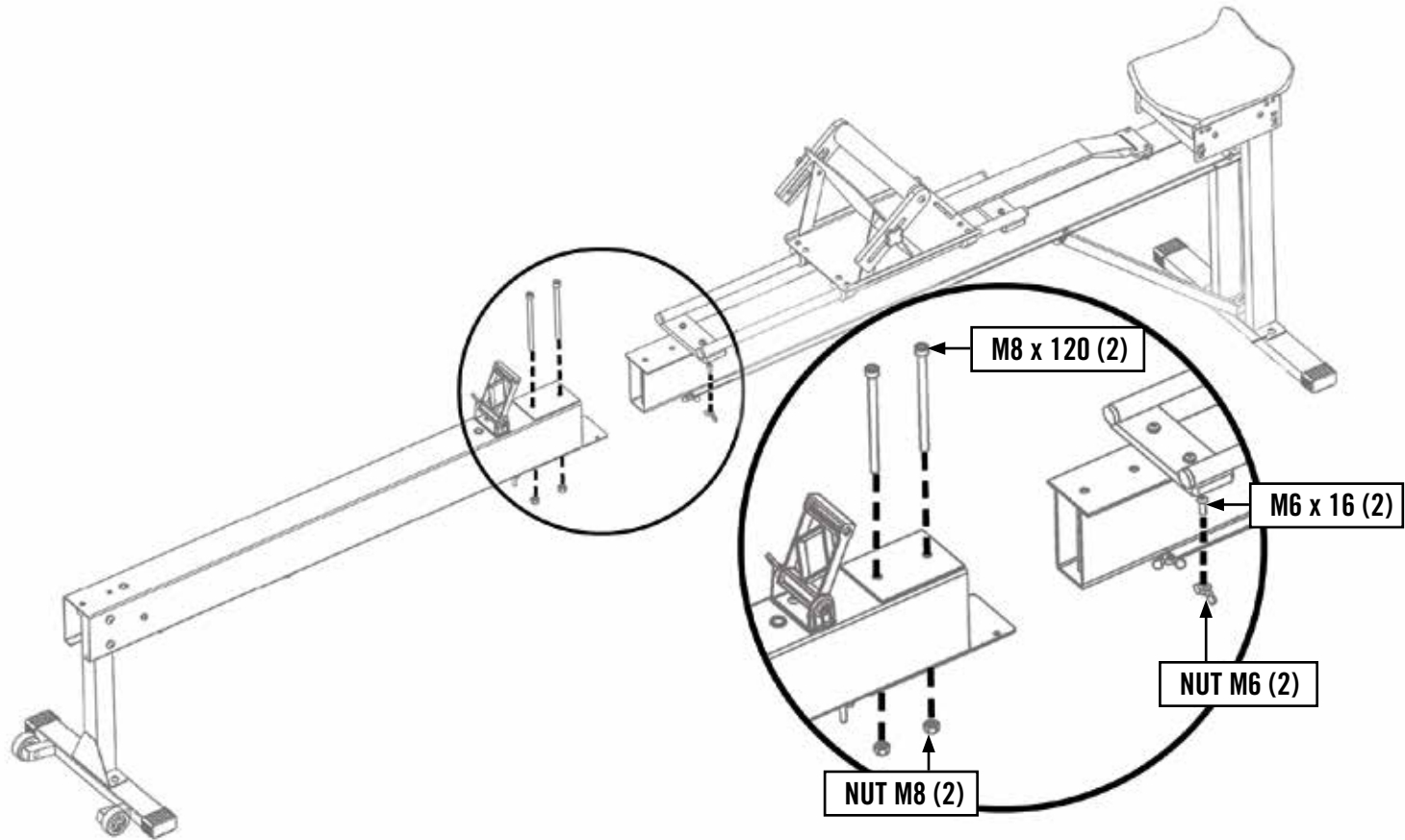
6



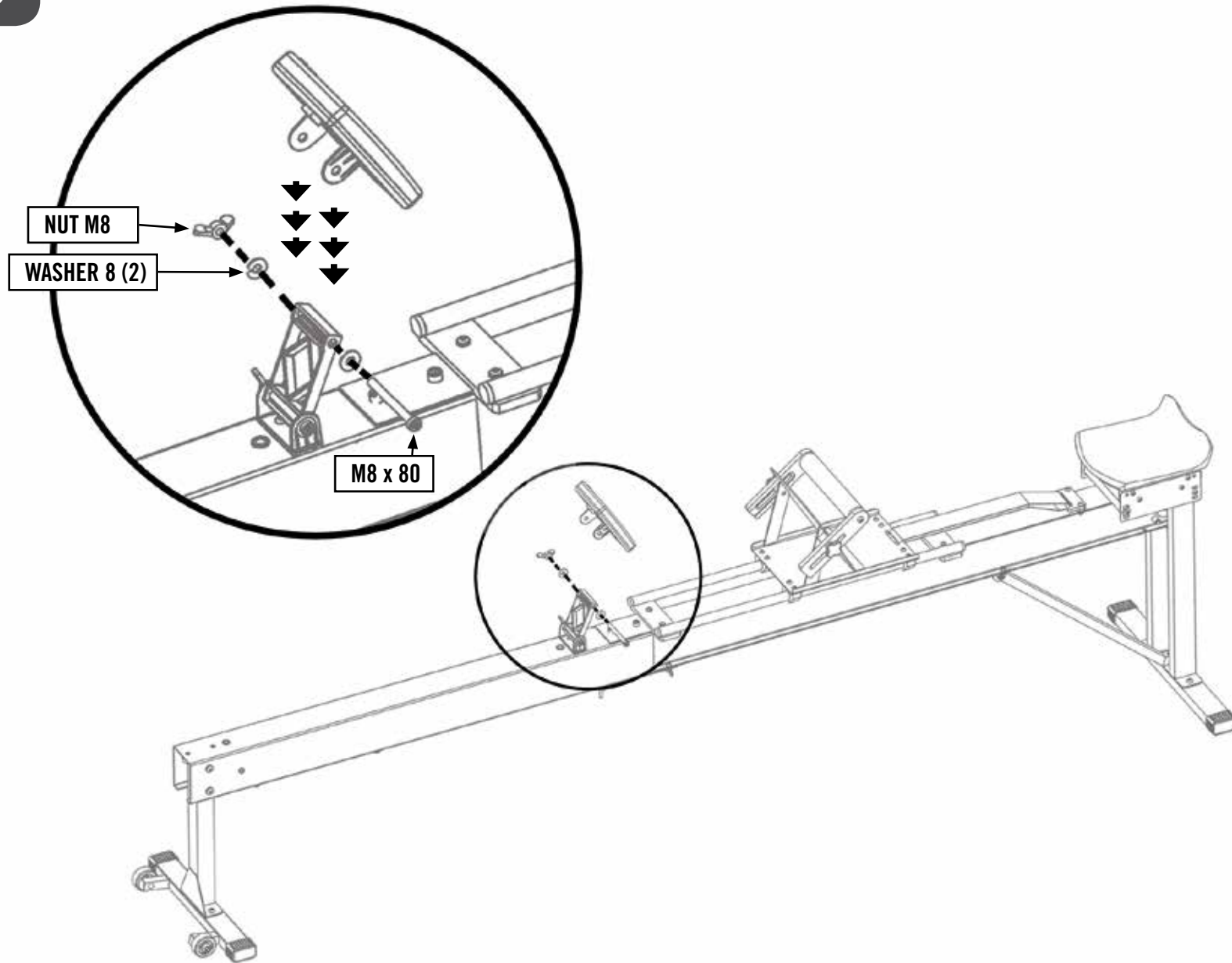
7



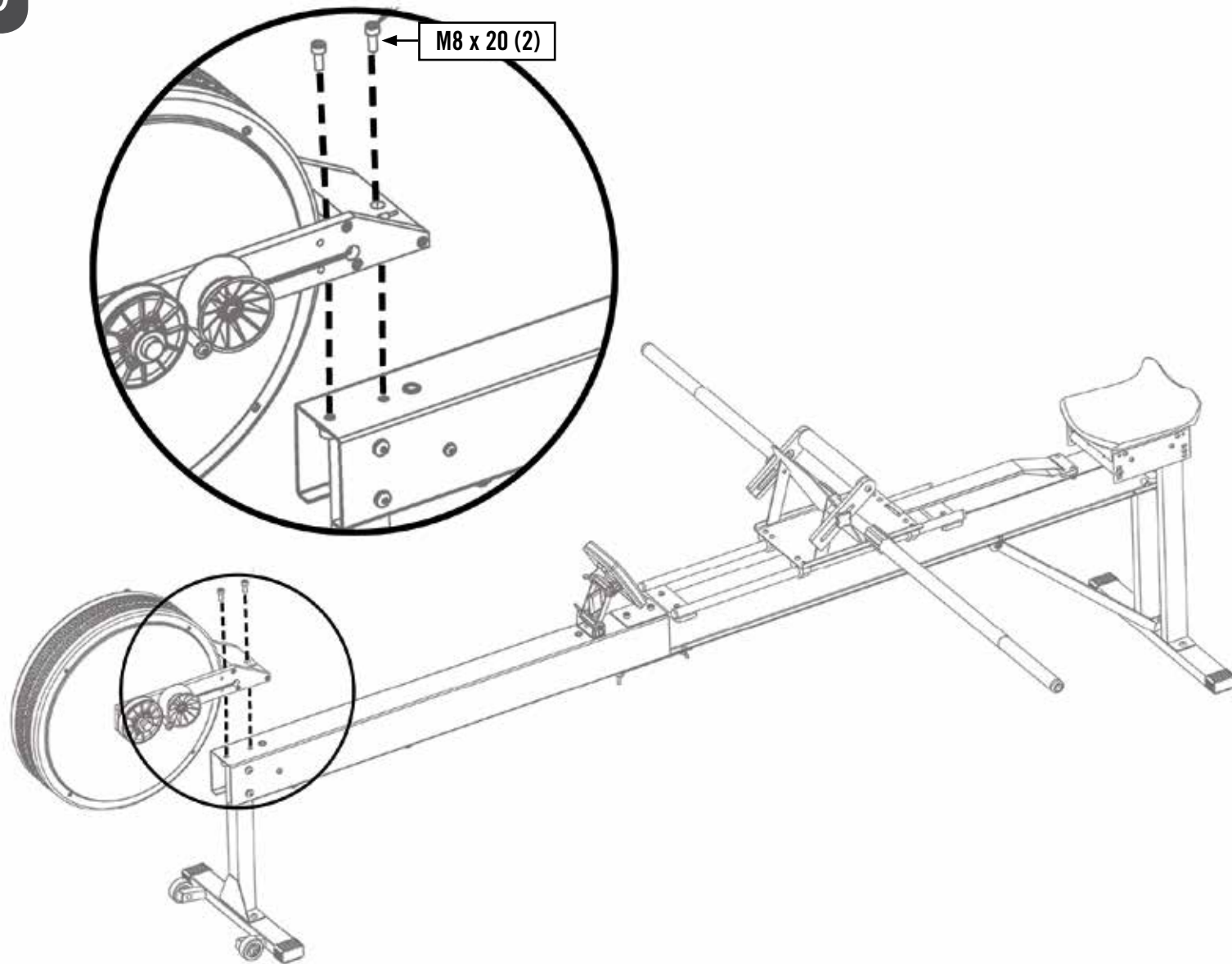
8



9



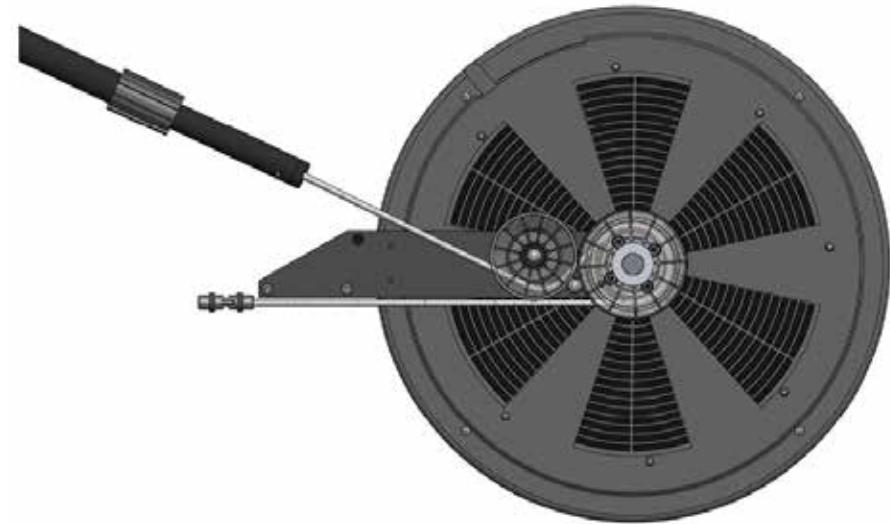
10



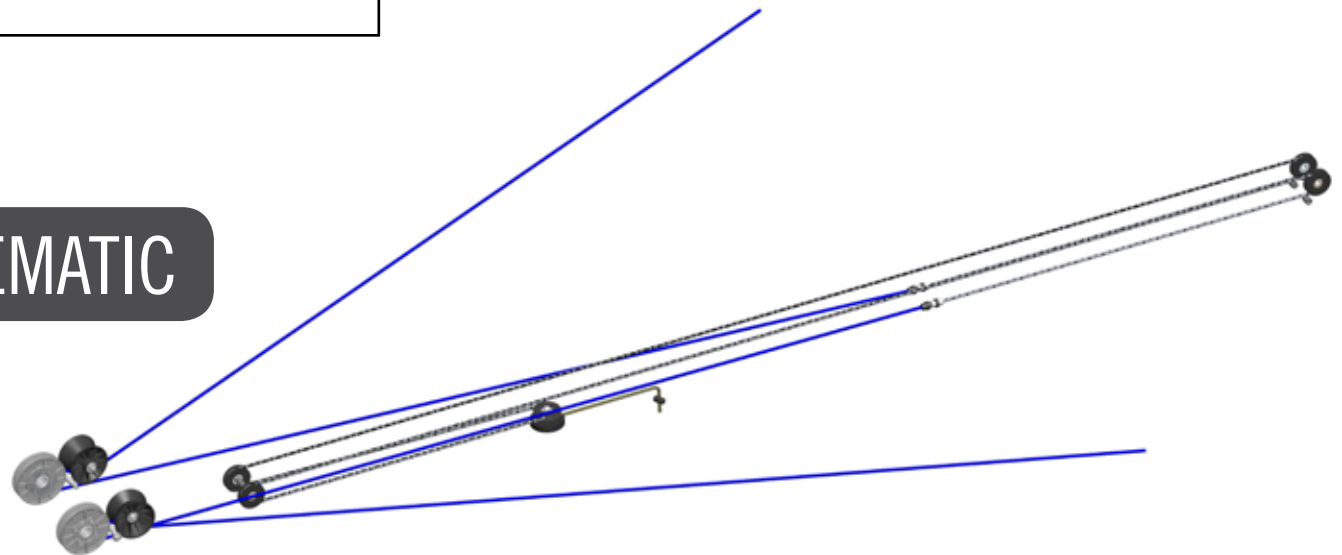
ROPE END



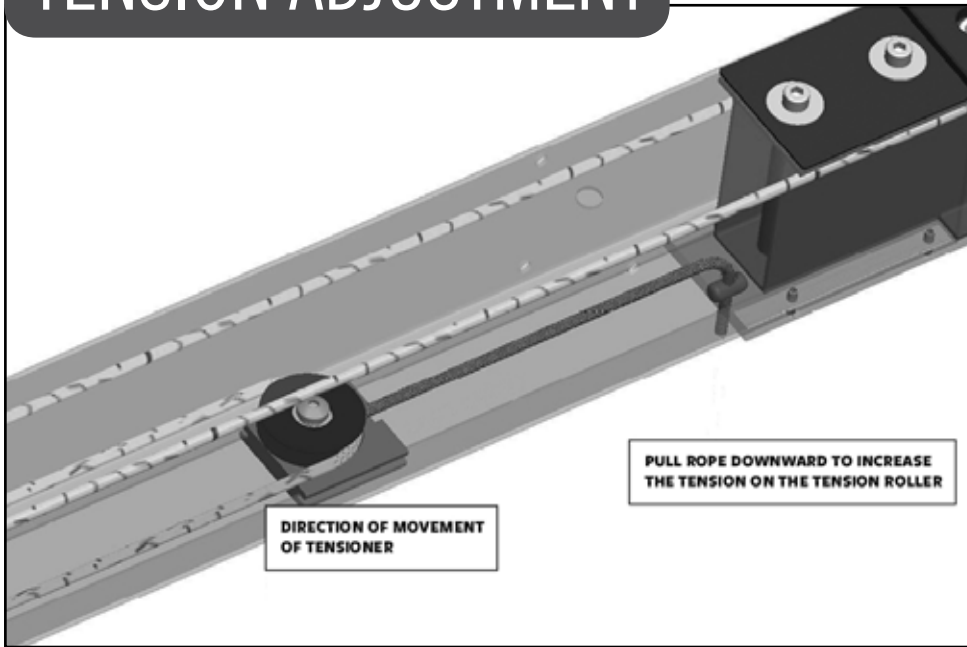
PADDLE SHAFT



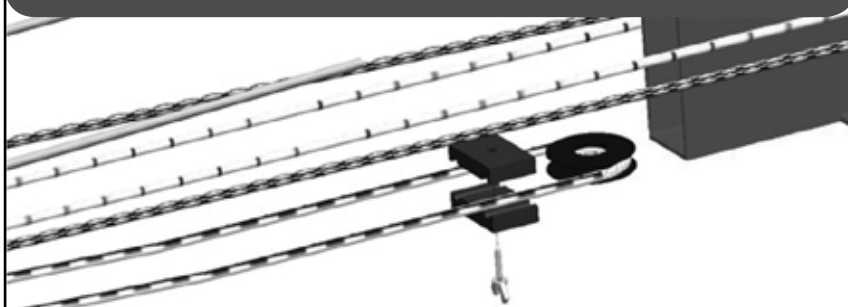
ROPE BUNGEE SCHEMATIC



TENSION ADJUSTMENT



HIGH FREQUENCY ADAPTOR



SAFETY PRECAUTIONS

SAFE OPERATION AND USE

SERIOUS INJURY CAN OCCUR IF THE FOLLOWING PRECAUTIONS ARE NOT OBSERVED.

1. Always consult your physician prior to undertaking any exercise regimen.
2. Keep head, limbs, fingers, and hair clear of all moving parts and flywheel cage.

PLEASE NOTE For the K1 Ergometer, working area is:

TOTAL WIDTH 175 cm (69")

TOTAL HEIGHT 178 cm (70")

TOTAL LENGTH + SPACE BEHIND FOR PADDLE

SHAFT RECOVERY 343 cm (135")

3. Inspect machine prior to use. Do not use the machine if it appears damaged or inoperable.
4. Contact manufacturer if machine is broken or jammed.
5. Use machine only as intended.
6. Do not modify the machine.
7. Children must not be allowed near this machine.
8. Teenagers must be supervised in the use of this machine.
9. By using the K1 Ergometer the user accepts all and full responsibility for self.



CONTACT US

WWW.KAYAKPRO.COM

+1 914 310 5899

SALES@KAYAKPRO.COM

KayakPro USA LLC
6538 Collins Ave Suite 306
Miami Beach, FL 33141



ATHENS 2004



Beijing 2008



London 2012



KAYAKPRO USA LLC OFFICIAL SUPPLIERS OF
KAYAK AND CANOE ERGOMETERS TO THE
2004, 2008 AND 2012 OLYMPIC GAMES